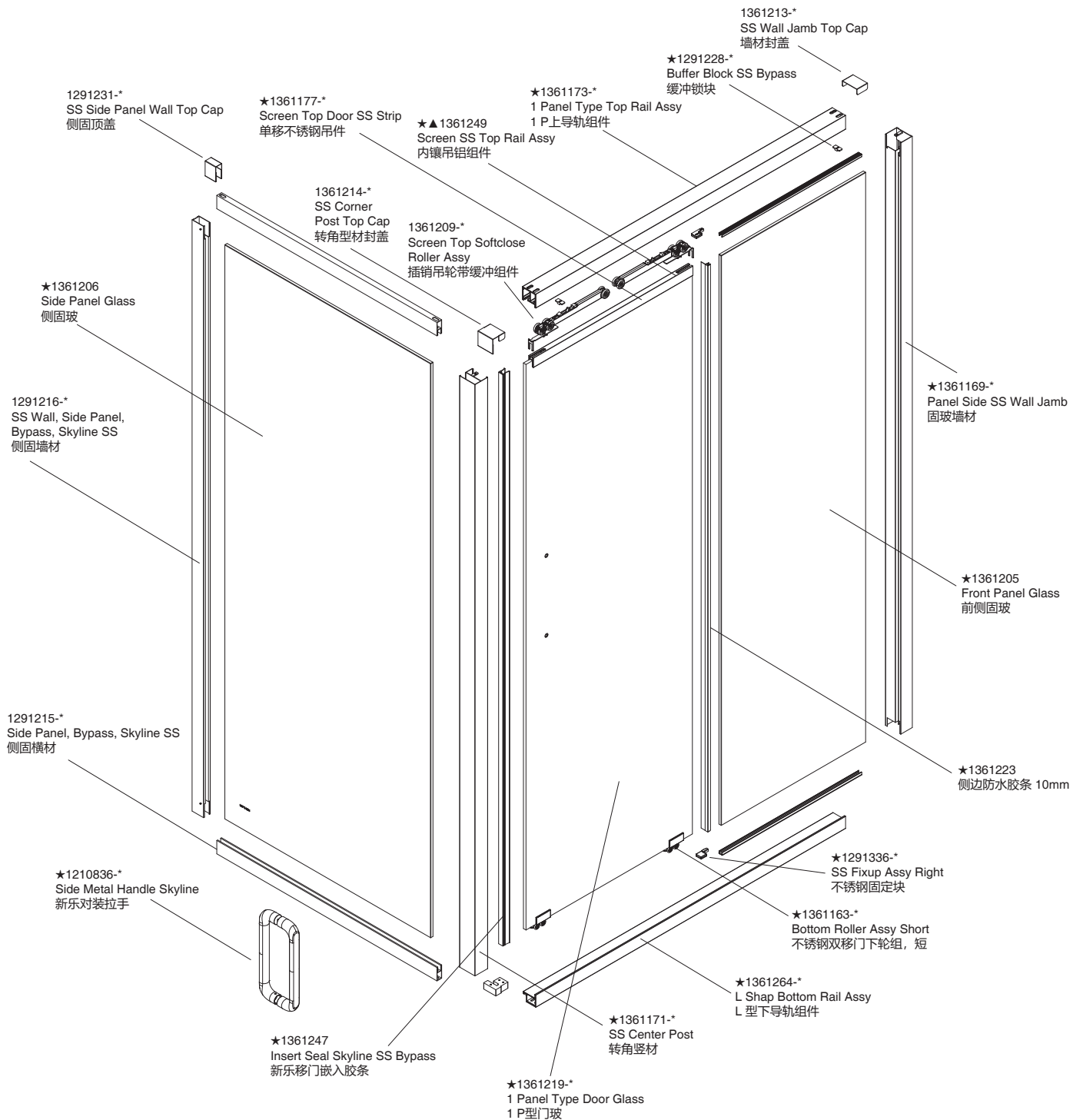


SLIDING, SS, L SHAPE, 1D2P, W/SC, 10mm
 不锈钢移门淋浴房, L型, 缓冲, 10mm 防爆贴膜玻璃
 K-22314T

SLIDING, SS, L SHAPE, 1D2P, 10mm
 不锈钢移门淋浴房, L型, 10mm 防爆贴膜玻璃
 K-701529T

SLIDING, SS, L SHAPE, 1D2P, 8mm
 不锈钢移门淋浴房, L型, 8mm 防爆贴膜玻璃
 K-701535T

K-22314T



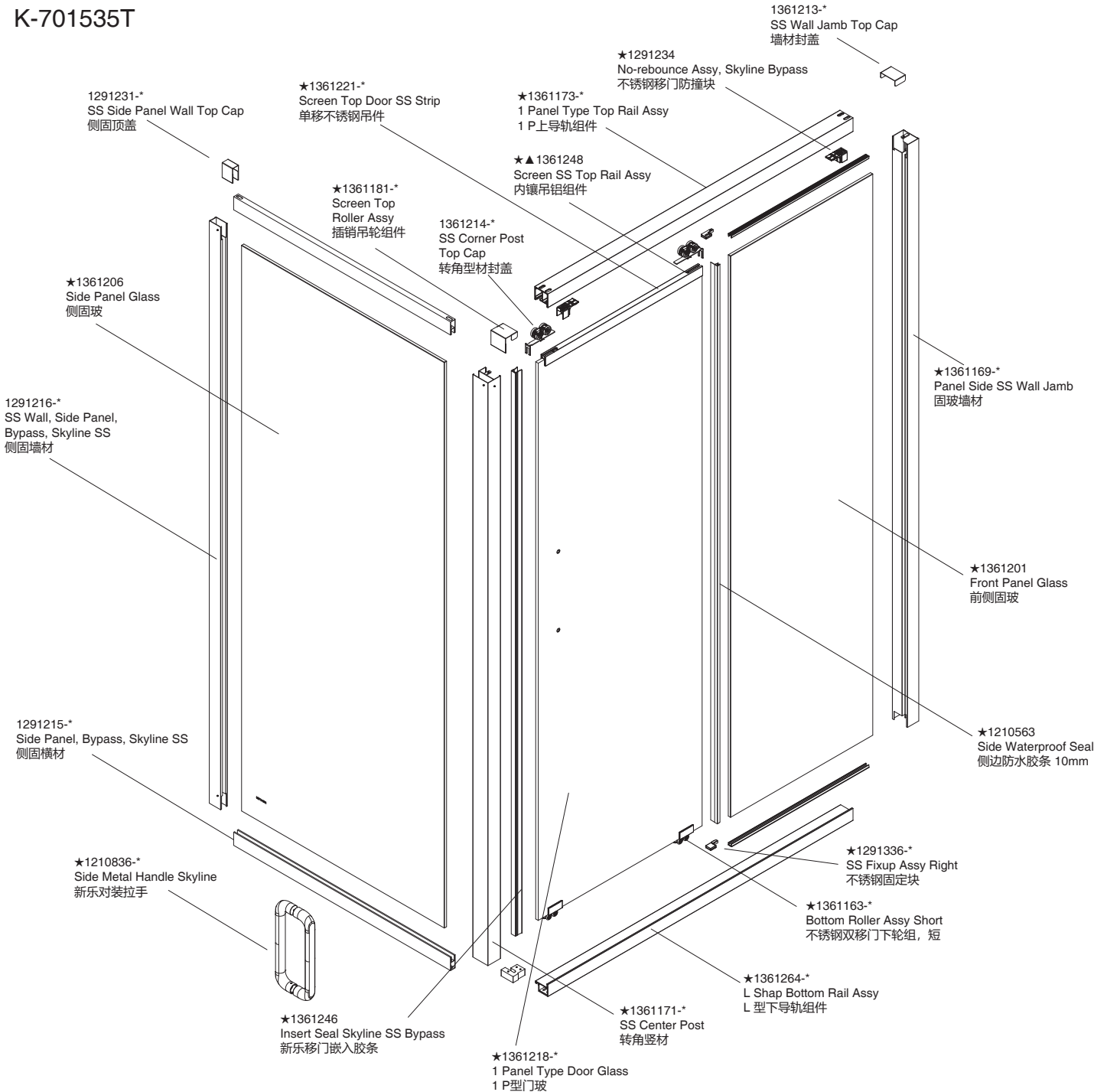
* Color code must be specified when ordering.
 * 订购时请说明颜色编号。

SLIDING, SS, L SHAPE, 1D2P, W/SC, 10mm
 不锈钢移门淋浴房, L型, 缓冲, 10mm 防爆贴膜玻璃
 K-22314T

SLIDING, SS, L SHAPE, 1D2P, 10mm
 不锈钢移门淋浴房, L型, 10mm 防爆贴膜玻璃
 K-701529T

SLIDING, SS, L SHAPE, 1D2P, 8mm
 不锈钢移门淋浴房, L型, 8mm 防爆贴膜玻璃
 K-701535T

K-701529T
 K-701535T



SLIDING, SS, L SHAPE, 1D2P, W/SC, 10mm
 不锈钢移门淋浴房, L型, 缓冲, 10mm 防爆贴膜玻璃
 K-22314T

SLIDING, SS, L SHAPE, 1D2P, 10mm
 不锈钢移门淋浴房, L型, 10mm 防爆贴膜玻璃
 K-701529T

SLIDING, SS, L SHAPE, 1D2P, 8mm
 不锈钢移门淋浴房, L型, 8mm 防爆贴膜玻璃
 K-701535T

P/N 零件号	DESCRIPTION描述	Color颜色	
★1361218-R-*	1 Panel Type Door Glass Right 8mm 1P型门玻 右 8mm	FM, IC	
★1361218-L-*	1 Panel Type Door Glass Left 8mm 1P型门玻 左 8mm		
★1361219-R-*	1 Panel Type Door Glass Right 10mm 1P型门玻 右 10mm		
★1361219-L-*	1 Panel Type Door Glass Left 10mm 1P型门玻 左 10mm		
★1361205-*	Front Panel Glass 10mm 前侧固玻 10mm		
★1361206-*	Side Panel Glass 10mm 侧面固玻 10mm		
★1361201-*	Front Panel Glass 8mm 前侧固玻 8mm		
★1361202-*	Side Panel Glass 8mm 侧面固玻 8mm		
★1361173-R-*	1 Panel Type Top Rail Assy Right 1P上导轨组件 (右)	S, AF, RGD	
★1361173-L-*	1 Panel Type Top Rail Assy Left 1P上导轨组件 (左)	S, AF, RGD	
★1361264-*	L Shape Type Bottom Rail Assy Right L型下导轨组件 (右)	S, AF, RGD	
★1361264-*	L Shape Type Bottom Rail Assy Left L型下导轨组件 (左)	S, AF, RGD	
★1361177-*	Screen Top Door SS Strip 10mm 单移10mm不锈钢吊件	S, AF, RGD	
★1361221-*	Screen Top Door SS Strip 8mm 单移8mm不锈钢吊件	S, AF, RGD	
1291215-*	Side Panel, Bypass, Skyline SS 侧固横梁	S, AF, RGD	
1291216-*	SS Wall, Side Panel, Bypass, Skyline SS 侧固墙材	S, AF, RGD	
★1361169-R-*	Panel Side SS Wall Jamb Right 固玻墙材 (右)	S, AF, RGD	
★1361169-L-*	Panel Side SS Wall Jamb Left 固玻墙材 (左)	S, AF, RGD	
★1361171-R-*	SS Center Post Right 转角竖材 (右)	S, AF, RGD	
★1361171-L-*	SS Center Post Left 转角竖材 (左)	S, AF, RGD	
1361213-*	SS Wall Jamb Top Cap 墙材封盖	S, AF, RGD	
1361214-*	SS Corner Post Top Cap 转角型材封盖	S, AF, RGD	
1291231-*	SS Side Panel Wall Top Cap 侧固顶盖	S, AF, RGD	
★1291228-*	Buffer Block, Bypass 缓冲锁块		
★1291234	No-Rebound Assy, Bypass, Skyline SS 不锈钢双移门防撞块		
★1361163-*	Bottom Roller Assy, Short, 10mm 不锈钢双移门下轮组, 短 10mm	S, AF, RGD	
★1291218-*	Bottom Roller Assy, Short, 8mm 不锈钢双移门下轮组, 短 8mm	S, AF, RGD	
1361244	Screen Bottom Corner Fixed Part 新乐单移L型下转角		
★1361181-*	Screen Top Roller Assy 10mm 插销吊轮组件 10mm	S, AF, RGD	
★1361211-*	Screen Top Roller Assy 8mm 插销吊轮组件 8mm	S, AF, RGD	
1361209-*	Screen Top Softclose Roller Assy 插销吊轮带缓冲组件	S, AF, RGD	
★1210836-*	Side Metal Handle Skyline 金属对装拉手	S, AF, RGD	
★1291330-R-*	SS Fixup Assy Right 8mm 不锈钢固定块 8mm (右)	S, AF, RGD	
★1291330-L-*	SS Fixup Assy Left 8mm 不锈钢固定块 8mm (左)	S, AF, RGD	
★1291336-R-*	SS Fixup Assy Right 10mm 不锈钢固定块 10mm (右)	S, AF, RGD	
★1291336-L-*	SS Fixup Assy Left 10mm 不锈钢固定块 10mm (左)	S, AF, RGD	
★▲1361248	Screen Top Door Alu Assy 8mm 内镶吊铝组件 8mm	★1361208	8mm Hanging Rubber Pad 8mm 吊夹胶垫
		1361215	M4 Screw M4 拉铆螺母
		1361172	M4X14 Screw M4X14 沉头螺丝
		1361180	Screen Top Door Alu Assy 单移门玻吊铝
★▲1361249	Screen Top Door Alu Assy 10mm 内镶吊铝组件 10mm	★1361207	10mm Hanging Rubber Pad 10mm 吊夹胶垫
		1361215	M4 Screw M4 拉铆螺母
		1361172	M4X14 Screw M4X14 沉头螺丝
		1361180	Screen Top Door Alu Assy 单移门玻吊铝
▲1361250	SS Screen 1P1D Seal Strip Package 8mm 新乐1P1D单移门 8mm密封配件包	★1361246	8mm SS Screen Insert Seal 不锈钢双移门嵌入胶条 8mm
		★1210563	8mm Side Waterproof Seal 侧边防水胶条 8mm
		★1210785	8mm U Type Protect Seal U型保护胶条 8mm
		★1157901	8mm Insert Seal 8mm 单边胶条
▲1361251	SS Screen 1P1D Seal Strip Package 10mm 新乐1P1D单移门 10mm密封配件包	★1361247	10mm SS Screen Insert Seal 不锈钢双移门嵌入胶条 10mm
		★1361223	10mm Side Waterproof Seal 侧边防水胶条 10mm
		★1210863	10mm U Type Protect Seal U型保护胶条 10mm
		★1157883	10mm Insert Seal 10mm 单边胶条

SLIDING, SS, L SHAPE, 1D2P, W/SC, 10mm
 不锈钢移门淋浴房, L型, 缓冲, 10mm 防爆贴膜玻璃
 K-22314T

SLIDING, SS, L SHAPE, 1D2P, 10mm
 不锈钢移门淋浴房, L型, 10mm 防爆贴膜玻璃
 K-701529T

SLIDING, SS, L SHAPE, 1D2P, 8mm
 不锈钢移门淋浴房, L型, 8mm 防爆贴膜玻璃
 K-701535T

▲1361252	SS Screen Maintenance Kit 新乐单移-维修配件包	1343936	Screw M4X8 十字沉头不锈钢机制 M4X8	
		1291095	M4X10 Screw 十字圆头不锈钢机制 M4X10	
		1150121	Screw ST3.5X40 盘头自攻螺钉 ST3.5X40	
		1057064	Hollow Wall Anchor, Nylon 膨胀套	
		1078843	Screw Key 2mm 内六角扳手 (加长) 2mm	
		1095457	Screw Key 3mm 内六角扳手3mm	

Note: Components marked in ▲ can only be ordered in whole pack. When ordering components marked in ★, customers need provide measurement form and corresponding product SKU.

注意: 带▲标注零件仅可整包订购, 带★标注零件订购时需附加测量单和产品SKU号。

Glass options: L1, L3, L4, L5, L8, L9, C, MZ, IC
 玻璃花纹可供选择: L1, L3, L4, L5, L8, L9, C, MZ, IC

FM-It is for filmed glass. The following decorative patterns can be chosen (refer to the table below) together with FM glass.
 IC-It is for laminated glass with easy clean coating. The following decorative patterns cannot be chosen together with IC glass.
 FM- 此号码为防爆膜玻璃, 配备FM时, 可以选择以下指定花纹代码 (参考下表)。
 IC- 此号码为夹层+超净玻璃, 配备IC时, 以下代码不能再选择。

Refer to the table below for glass options
 玻璃选项参考下表

P/N 零件号	DESCRIPTION 描述
1291888-L1	蕾丝花纹, L1
1291888-L3	思绪花纹, L3
1291888-L4	梅玛花纹, L4
1291888-L5	晨雾花纹, L5
1291888-L8	繁星花纹, L8
1291888-L9	丝雨花纹, L9
1291888-MZ	镜面玻璃, MZ
1291888-C	超净玻璃, C
1291888-IC	夹胶超净, IC